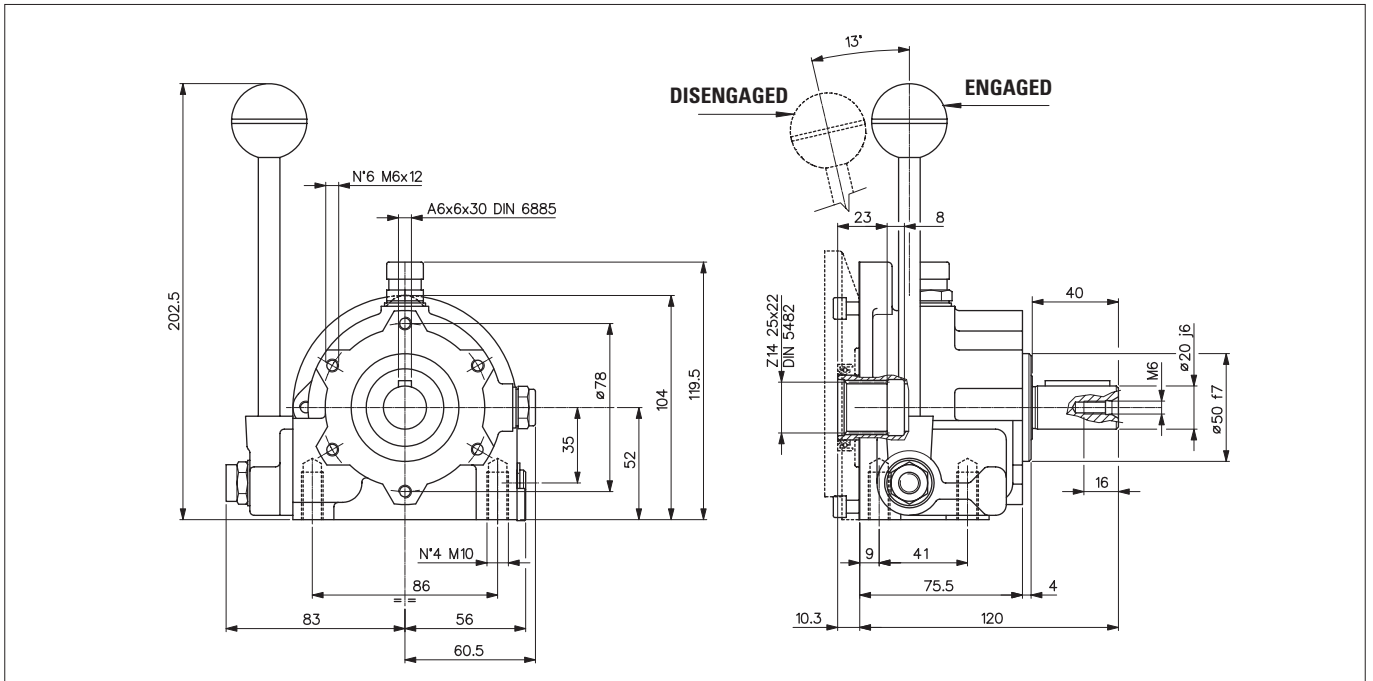


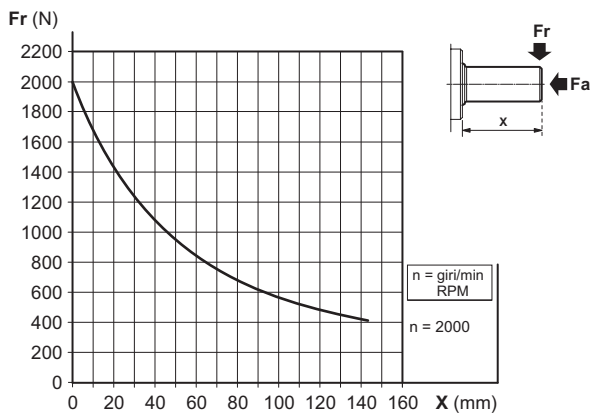
MECHANICAL CLUTCH, CYLINDRICAL SHAFT FLANGE FOR PUMP GR.1-2

2



MAXIMUM LOAD ON THE SHAFT

The mechanical clutches IM05 are fitted between motor (electrical or engine) and hydraulic pump or motor, the pump or motor is engaged using a manual lever. Require flanges and coupling to connect pump and motor.



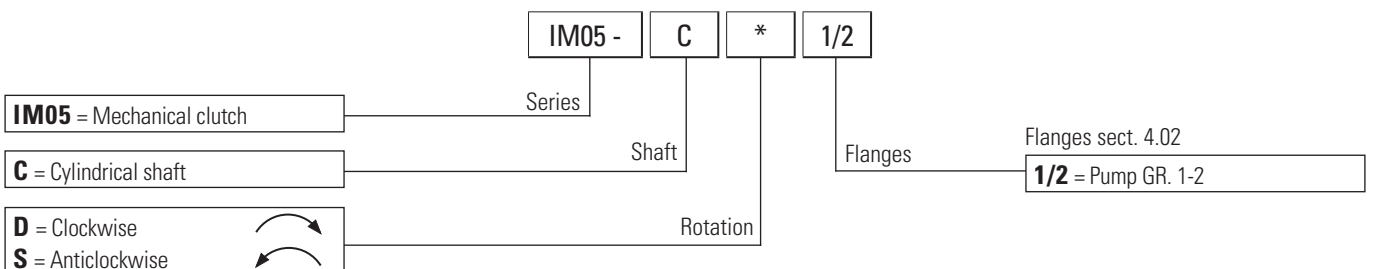
FEATURES

Radial load (**)	See graphic
Max. axial load (**)	Fa = 120 daN
RPM max	2000 RPM
Max engagement speed (*)	420 RPM
Max. torque	9 daNm
Life (**)	3500 hours
Working temperature	-20 °C ÷ +80 °C
Oil quantity	0.2 lt.
Type of oil	CLP 150-ISO VG150
Oil replacement	12 months

(*) The engagement and disengagement must be done when the pump is unloaded max speed 420 RPM.

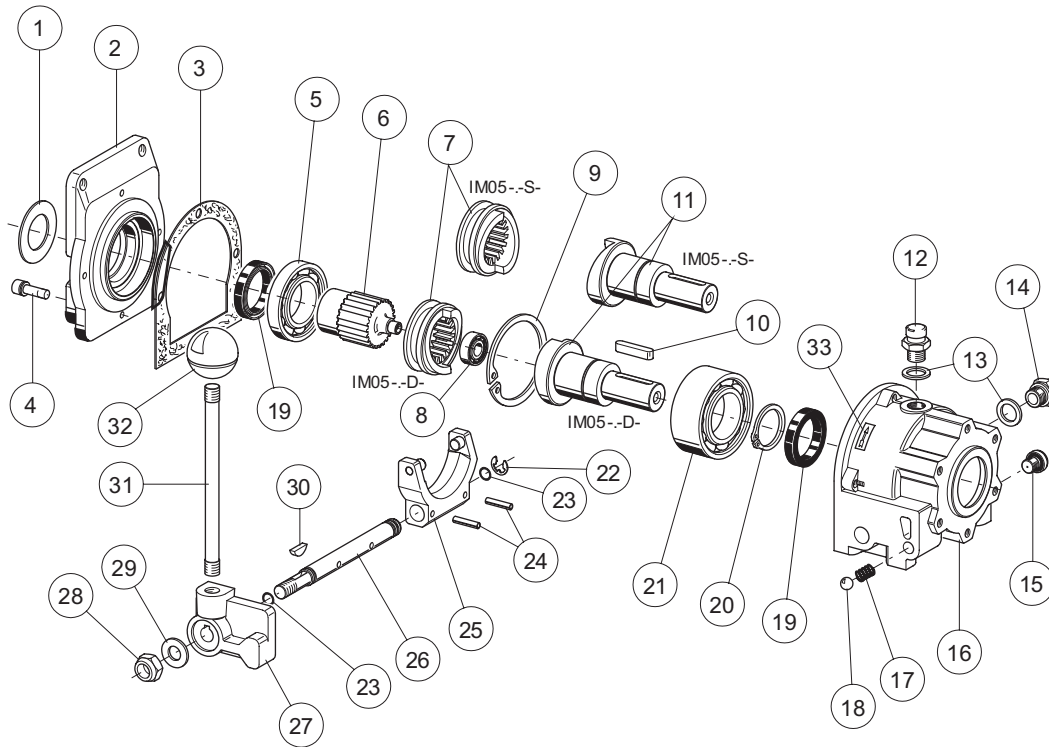
(**)Nominal values calculated according to ISO 281. For more information, contact our technical department.

ORDERING CODE



SPARE PARTS

2

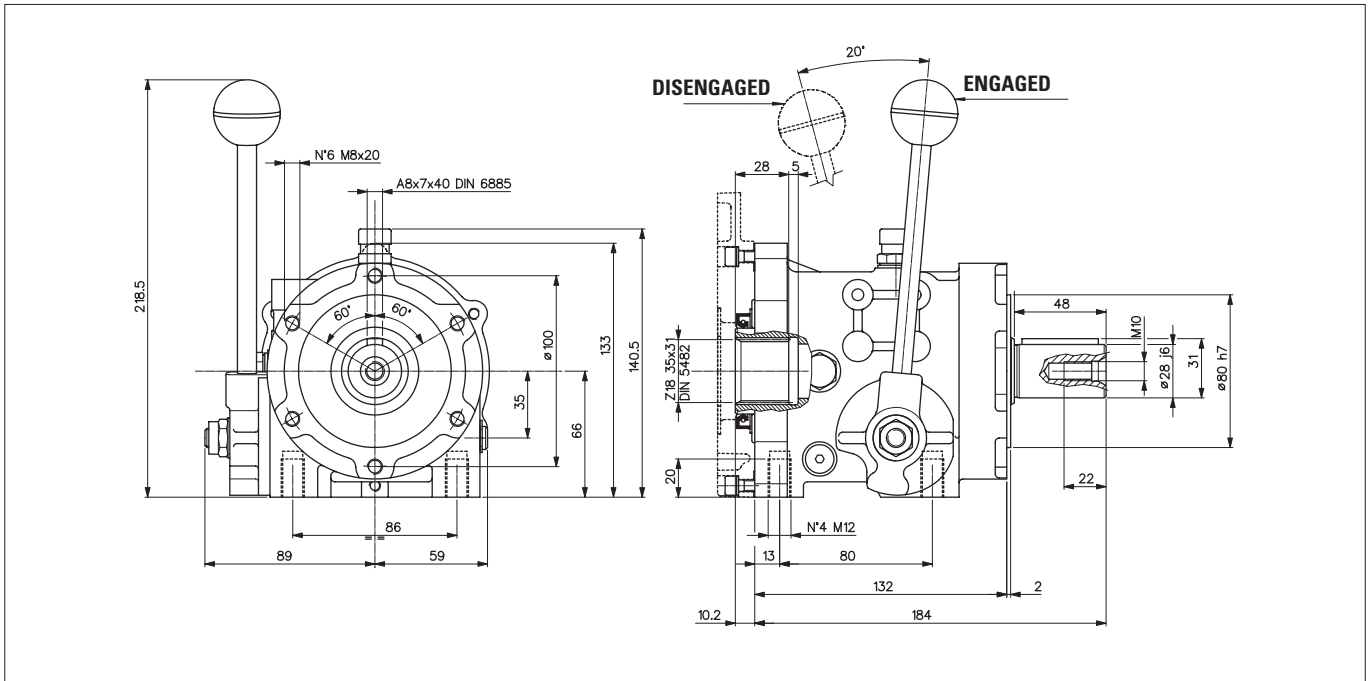


Ref.	Code	Q.ty		Description
		IM05-C-D-..	IM05-C-S-..	
1	39100800	1	1	Flange 44/1
2	39022800	1	1	Flange gr.1-2 (sect.4.02)
3	39203000	1	1	Gasket
4	40007300	4	4	Screw TCEI M6x20
5	44005600	1	1	Bearing 16006 30x55x9
6	34202800	1	1	Inlet shaft
7	31202800	1	—	Sleeve - right
	31202900	—	1	Sleeve - left
8	44005500	1	1	Bearing 608 8x22x7
9	Q27160062	1	1	Snap ring I62
10	Q27470211	1	1	Key A6x6x30
11	34202700	1	—	Outlet shaft - right
	34203100	—	1	Outlet shaft - left
12	49100100	1	1	Plug G.1/4
13	49000100	2	2	Nylon washer 13x19x1.5
14	49100200	1	1	Level plug G.1/4
15	Q26630002	1	1	Plug with gasket G.1/8
16	39003800	1	1	Standard body

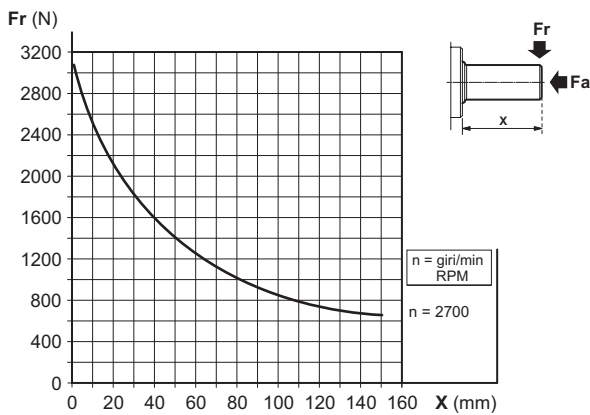
Ref.	Code	Q.ty		Description
		IM05-C-D-..	IM05-C-S-..	
17	39100400	1	1	Spring
18	Q28620056	1	1	Ball D.8,5
19	44101800	2	2	Shaft seal 30x40x7
20	Q27150300	1	1	Snap ring E30
21	44005200	1	1	Bearing 3206 30x62x23,8
22	Q27100012	1	1	Ring
23	Q25830015	2	2	O-Ring 8.74x1.78
24	Q27420186	2	2	Needle 4x20
25	29000011	1	1	Yoke
26	34300700	1	1	Pin
27	39103200	1	1	Plate
28	Q26560330	1	1	Nut M10x10
29	Q26769015	1	1	Washer 10,5x21x2
30	Q27500072	1	1	Key 4x6.5
31	34300100	1	1	Lever
32	49100400	1	1	Knob D.35
33	LAB00014	1	1	Label

MECHANICAL CLUTCH, CYLINDRICAL SHAFT FLANGE FOR PUMP GR.2-3 / SAE A / SAE B

2



MAXIMUM LOAD ON THE SHAFT



The mechanical clutches IM1 are fitted between motor (electrical or engine) and hydraulic pump or motor, the pump or motor is engaged using a manual lever.

FEATURES

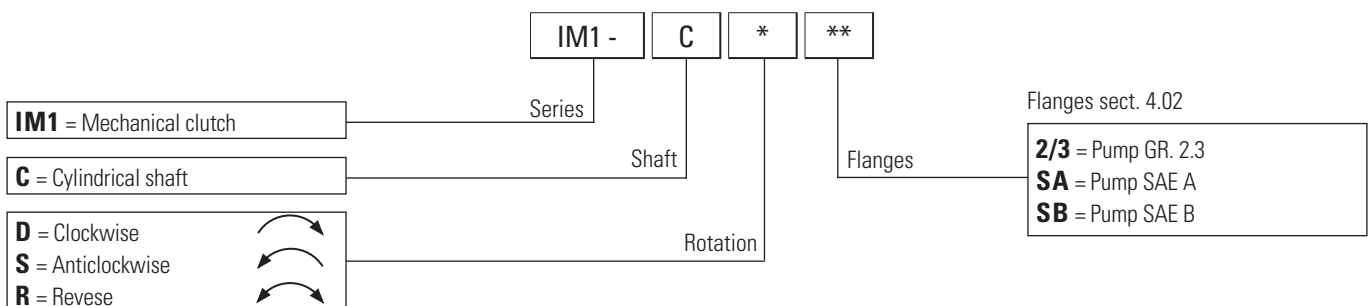
Radial load (**)	See graphic
Max. axial load (**)	$F_a \leq F_r \cdot 0,2$
RPM max	2700 RPM
Max engagement speed (*)	420 RPM
Max. torque	19 daNm
Moment of inertia	0.0004524 kgm ²
Life (**)	3500 hours
Working temperature	-20 °C ÷ +80 °C
Oil quantity	0.5 lt.
Type of oil	CLP 150-ISO VG150
Oil replacement	12 months

(*) The engagement and disengagement must be done when the pump is unloaded max speed 420 RPM. In the reversible type we suggest 300 RPM as maximum speed to operate the engagement.

(**)Nominal values calculated according to ISO 281. For more information, contact our technical department.

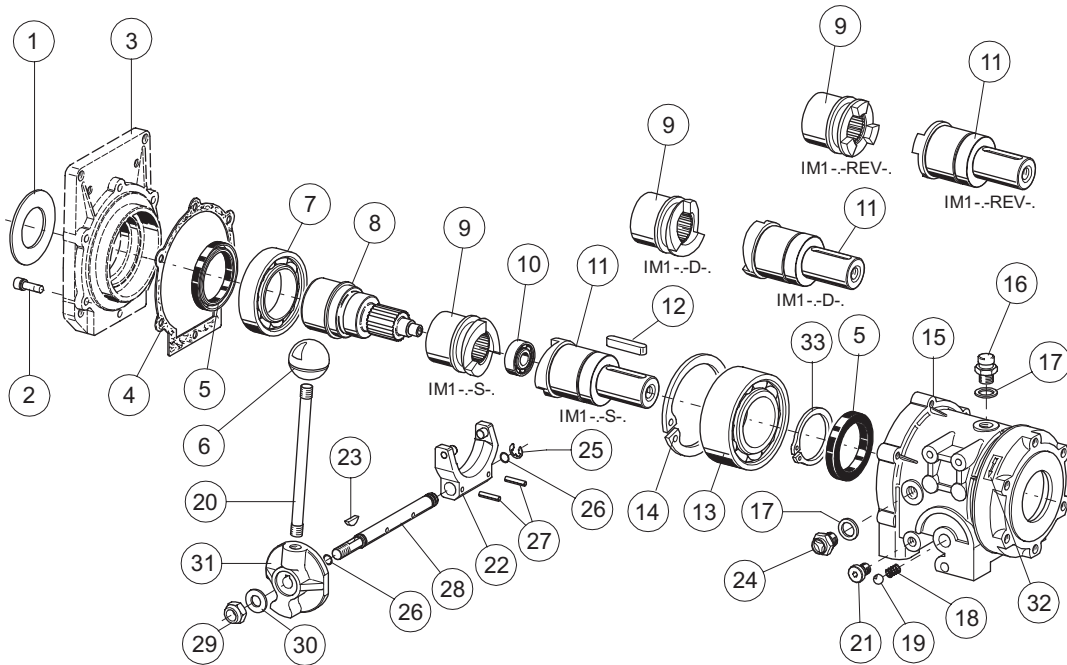
(*) Nominal values calculated according to ISO 281. For more information, contact our technical department.

ORDERING CODE



SPARE PARTS

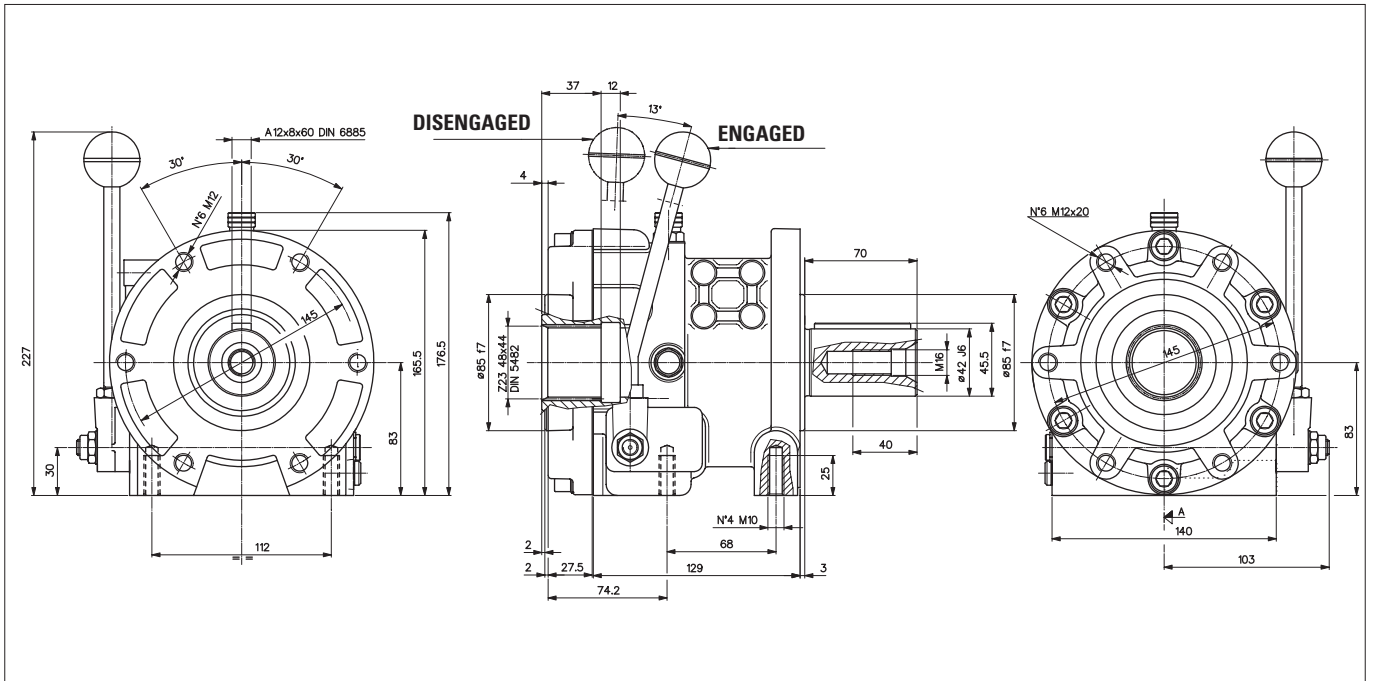
2



Ref.	Code	Q.ty			Description
		IM1-C-D..	IM1-C-S..	IM1-C-REV..	
1	39101200	1	1	1	Flange D.66/36,5 (only for gr.2-3)
2	40007300	6	6	6	Screw TCEI M6x20
3	—	1	1	1	Flanges (sect.4.02)
4	39204400	1	1	1	Gasket
5	44102200	2	2	2	Shaft seal 45x60x7
6	49100400	1	1	1	Knob D.35
7	44000300	1	1	1	Bearing 6009 45x75x16
8	34200100	1	1	1	Inlet shaft
9	31205000	1	—	—	Sleeve - right
	31204900	—	1	—	Sleeve - left
	31205900	—	—	1	Sleeve - reversible
10	44005700	1	1	1	Bearing 6200 10x30x9
11	34254600	1	—	—	Outlet shaft - right
	34254500	—	1	—	Outlet shaft - left
	34254700	—	—	1	Outlet shaft - reversible
12	Q27470305	1	1	1	Key A8x7x40
13	44005800	1	1	1	Bearing 3209 45x85x30,2
14	Q27160085	1	1	1	Snap ring I85
15	39045700	1	1	1	Body

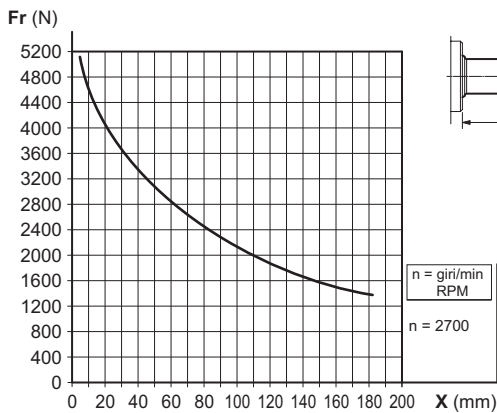
Ref.	Code	Q.ty			Description
		IM1-C-D..	IM1-C-S..	IM1-C-REV..	
16	49100100	1	1	1	Plug G.1/4
17	49000100	2	2	2	Nylon washer 13x19x1.5
18	39100400	1	1	1	Spring
19	Q28620056	1	1	1	Ball D.8,5
20	34300100	1	1	1	Lever
21	49145100	1	1	1	Plug with O-Ring G.1/8
22	29000011	1	1	1	Yoke
23	Q27500072	1	1	1	Key 4x6.5
24	49100200	1	1	1	Level plug G.1/4
25	Q27100012	1	1	1	Ring D.9
26	Q25830015	2	2	2	O-Ring 8.74x1.78
27	Q27420186	2	2	2	Needle 4x20
28	34300200	1	1	1	Pin
29	Q26560330	1	1	1	Nut M10x10
30	Q26769015	1	1	1	Washer 10,5x21x2
31	39100200	1	1	1	Collet
32	LAB00014	1	1	—	Label
33	Q27150450	1	1	1	Snap ring E45

MECHANICAL CLUTCH, CYLINDRICAL SHAFT



The mechanical clutches IM2 are fitted between motor (electrical or engine) and hydraulic pump or motor, the pump or motor is engaged using a manual lever.

MAXIMUM LOAD ON THE SHAFT



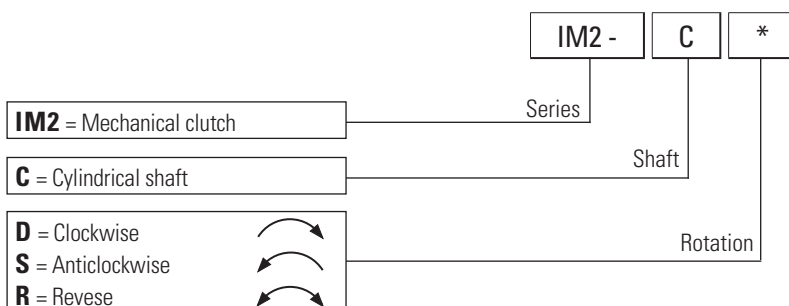
FEATURES

Radial load (**)	See graphic
RPM max	2700 RPM
Max engagement speed (*)	420 RPM
Max. torque	60 daNm
Moment of inertia	0.0048846 kgm ²
Life (**)	3500 hours
Working temperature	-20 °C ÷ +80 °C
Oil quantity	0.4 lt.
Type of oil	CLP 150-ISO VG150
Oil replacement	12 months

(*) The engagement and disengagement must be done when the pump is unloaded max speed 420 RPM. In the reversible type we suggest 300 RPM as maximum speed to operate the engagement.

(**) Nominal values calculated according to ISO 281. For more information, contact our technical department.

ORDERING CODE

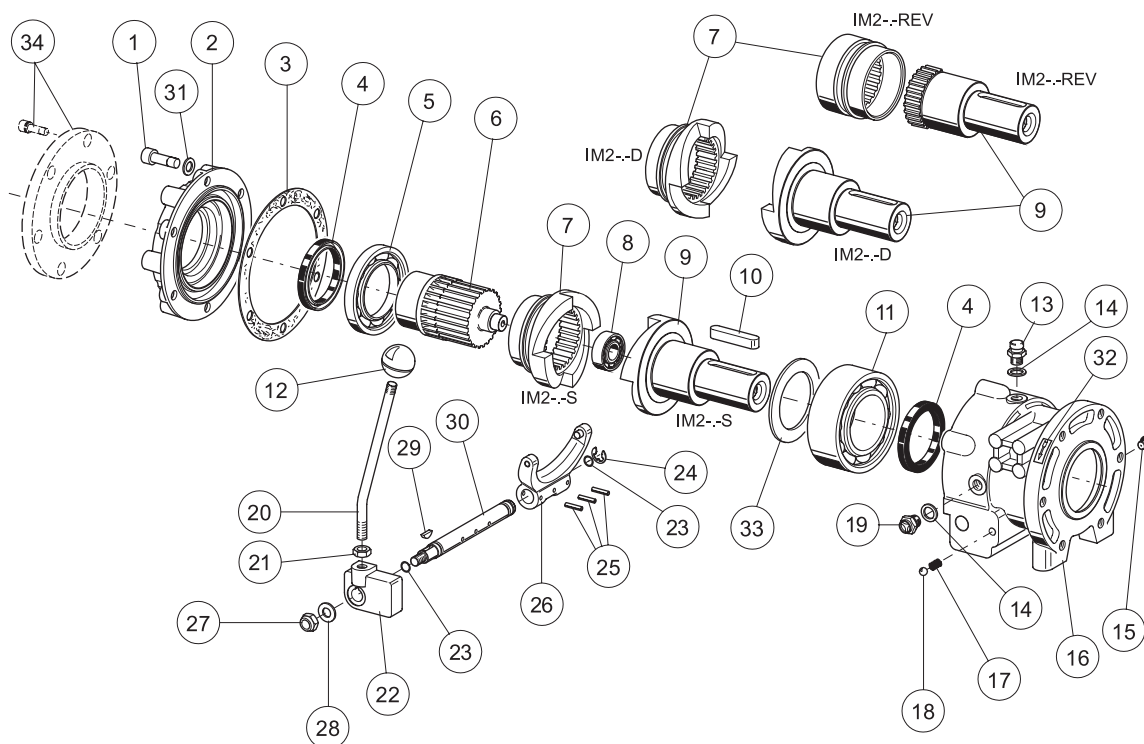


Flanges sect. 4.01

A	SAE A	F	GR. 3.5
B	SAE B	G	GR. 4
C	SAE C	L	ISO 1
D	GR. 2	M	ISO 2
E	GR. 3	P	ISO 3

SPARE PARTS

2

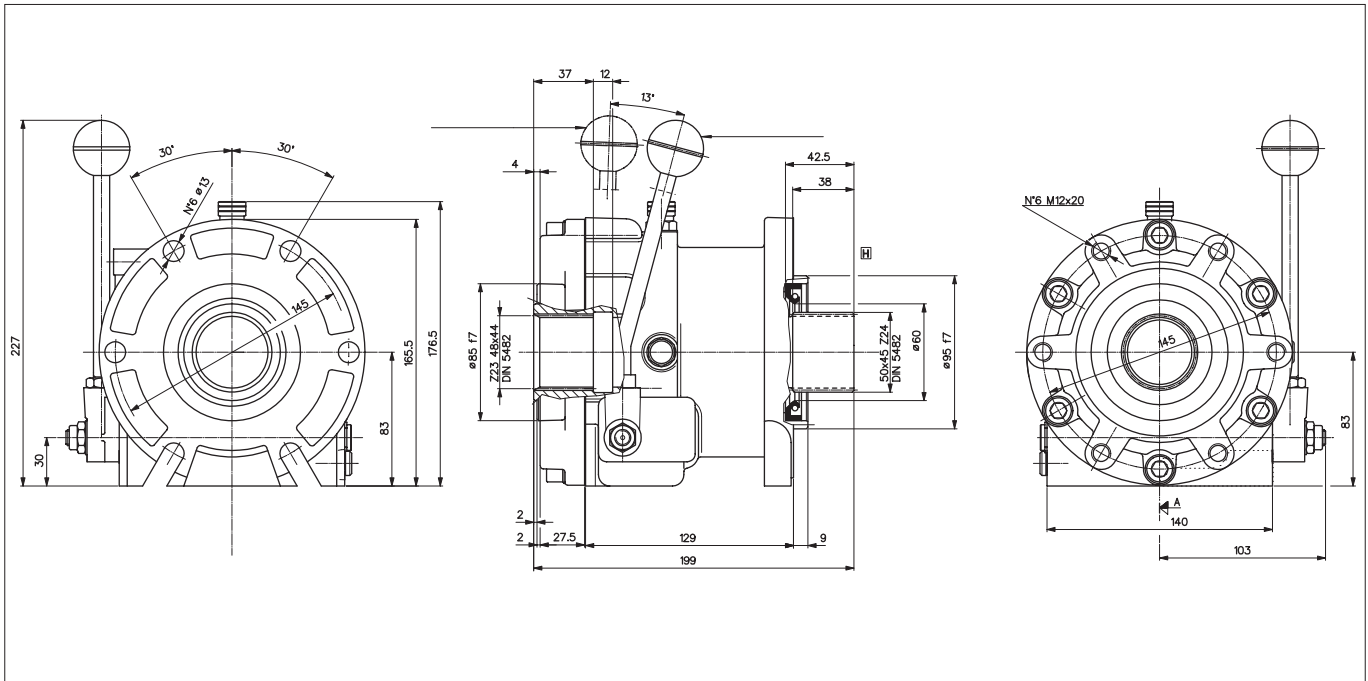


Ref.	Code	Q.ty			Description
		IM2-C-D	IM2-C-S	IM2-C-R	
1	Q26075125	6	6	6	Screw TCEI M10x30
2	39030400	1	1	1	Cover
3	39200200	1	1	1	Gasket
4	44103600	2	2	2	Shaft seal 60x75x8
5	44005900	1	1	1	Bearing 16012 60x95x11
6	34201400	1	1	1	Inlet shaft
7	31200300	1	—	—	Sleeve - right
	31200400	—	1	—	Sleeve - left
	31209400	—	—	1	Sleeve - reversible
8	44006000	1	1	1	Bearing 6203 17x40x12
9	34201200	1	—	—	Outlet shaft - right
	34201300	—	1	—	Outlet shaft - left
	34238900	—	—	1	Outlet shaft - reversible
10	Q27470413	1	1	1	Key A12x8x60
11	44006100	1	1	1	Bearing 3212 60x110x36,5
12	49100400	1	1	1	Knob D.35
13	49100100	1	1	1	Plug G.1/4
14	49000100	2	2	2	Nylon washer 13x19x1.5
15	49145100	1	1	1	Plug with O-Ring G.1/8

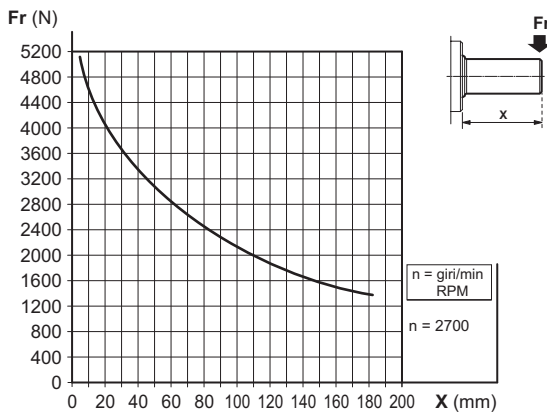
Ref.	Code	Q.ty			Description
		IM2-C-D	IM2-C-S	IM2-C-R	
16	39001300	1	1	1	Body
17	39100400	1	1	1	Spring
18	Q28620056	1	1	1	Ball D.8,5
19	49100200	1	1	1	Level plug G.1/4
20	34300400	1	1	1	Lever
21	Q26514069	1	1	1	Nut M10x6
22	39101900	1	1	1	Plate
23	Q25830083	2	2	2	O-Ring 10.77x2.62
24	Q27100014	1	1	1	Ring D.12
25	Q27420186	3	3	3	Needle 4x20
26	29000012	1	1	1	Yoke
27	Q26560330	1	1	1	Nut M10x10
28	Q26769015	1	1	1	Washer 10,5x21x2
29	Q27500072	1	1	1	Key 4x6.5
30	34300500	1	1	1	Pin
31	Q26801010	6	6	6	Washer Schnorr D.10
32	LAB00014	1	1	—	Label
33	39116400	—	—	1	Flange D.75x3x60
34	—	1	1	1	Flange kit (sect. 4.01)

MECHANICAL CLUTCH, DIN 5482 Z24 SHAFT

2



MAXIMUM LOAD ON THE SHAFT



The mechanical clutches "IM2 Universale" are fitted between motor (electrical or engine) and hydraulic pump or motor, the pump or motor is engaged using a manual lever.

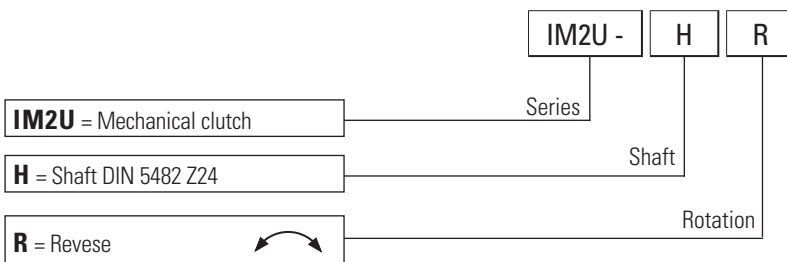
FEATURES

Radial load (**)	See graphic
RPM max	2700 RPM
Max engagement speed (*)	420 RPM
Max. torque	60 daNm
Moment of inertia	0.0048846 kgm ²
Life (**)	3500 hours
Working temperature	-20 °C ÷ +80 °C
Oil quantity	0.4 lt.
Type of oil	CLP 150-ISO VG150
Oil replacement	12 months

(*) The engagement and disengagement must be done when the pump is unloaded max speed 300 RPM (reversible type).

(**)Nominal values calculated according to ISO 281. For more information, contact our technical department.

ORDERING CODE

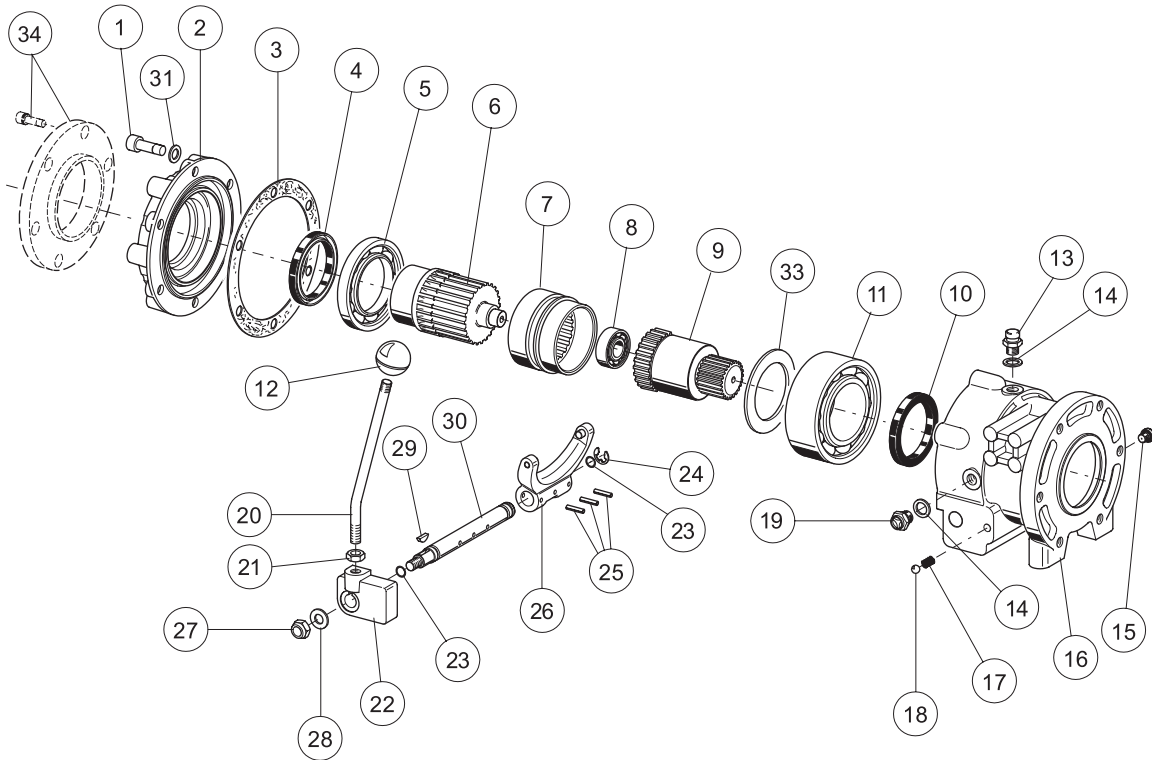


Flanges sect. 4.01

A	SAE A	F	GR. 3.5
B	SAE B	G	GR. 4
C	SAE C	L	ISO 1
D	GR. 2	M	ISO 2
E	GR. 3	P	ISO 3

SPARE PARTS

2



Ref.	Code	Q.ty	Description
		IM2U-H-R	
1	Q26075125	6	Screw TCEI M10x30
2	39030400	1	Cover
3	39200200	1	Gasket
4	44103600	1	Shaft seal 60x75x8
5	44005900	1	Bearing 16012 60x95x11
6	34201400	1	Inlet shaft
7	31209400	1	Sleeve - reversible
8	44006000	1	Bearing 6203 17x40x12
9	34239000	1	Outlet shaft Z.24 - reversible
10	44105000	1	Shaft seal 60x85x10
11	44006100	1	Bearing 3212 60x110x36,5
12	49100400	1	Knob D.35
13	49100100	1	Plug G.1/4
14	49000100	2	Nylon washer 13x19x1.5
15	49145100	1	Plug with O-Ring G.1/8
16	39002500	1	Body
17	39100400	1	Spring

Ref.	Code	Q.ty	Description
		IM2U-H-R	
18	Q28620056	1	Ball D.8,5
19	49100200	1	Level plug G.1/4
20	34300400	1	Lever
21	Q26514069	1	Nut M10x6
22	39101900	1	Plate
23	Q25830083	2	O-Ring 10.77x2.62
24	Q27100014	1	Ring D.12
25	Q27420186	3	Needle 4x20
26	29000012	1	Yoke
27	Q26560330	1	Nut M10x10
28	Q26769015	1	Washer 10,5x21x2
29	Q27500072	1	Key 4x6.5
30	34300500	1	Pin
31	Q26801010	6	Washer Schnorr S10
33	39116400	1	Flange D.75x3x60
34	—	1	Flange kit (sect. 4.01)